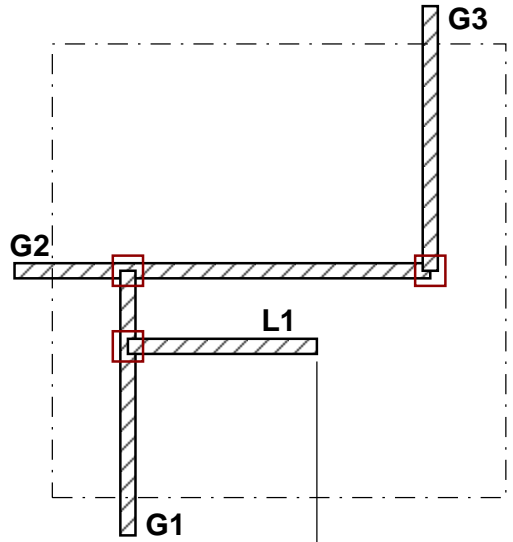
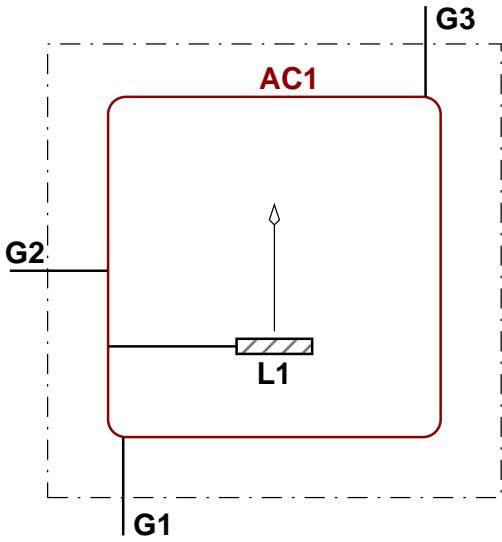


# AutoContact Structure

# Physical Mapping



*L1 before displacement*

*L1 after displacement*

