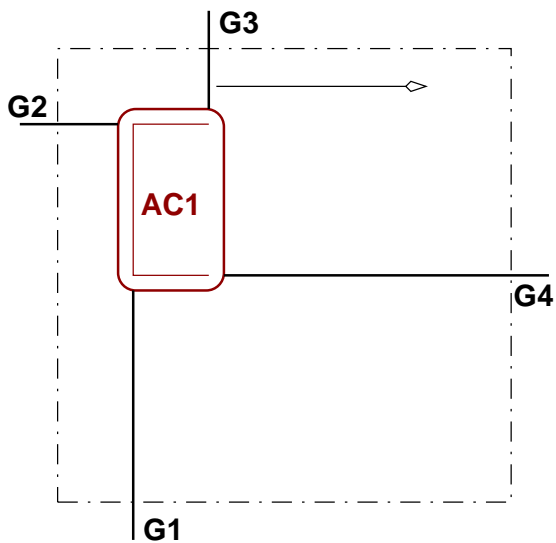


AutoContact Structure



Physical Mapping

