



Sorbonne Université

lip6 Laboratory

Hurricane+Python Tutorial

Jean-Paul Chaput
Jean-Paul.Chaput@lip6.fr



This work is licensed under a
Creative Commons Attribution-NonCommercial-ShareAlike 4.0 International License.
Creative Commons License creativecommons.org/licenses/by-nc-sa/4.0/

First, a small disclaimer. This tutorial assumes that you are already familiar with the concepts of vlsi designs, such as *netlist*, *layout*, *instances* and hierarchical design.

Contents

1. Introduction	3
1.1 Terminology	3
1.2 Generalities	3
1.3 Various Kinds of Constructors	5
1.4 Collections and Iterators	5
1.5 Dynamically decorating data-base objects.	6
1.6 Adapting C++ : Overlay.	7
2. Setting up the Environment	7
2.1 Setting up the Paths	7
2.2 User's Configurations File.	8
2.3 The <code>settings.py</code> File.	8
3. Making a Standard Cell -- Layout	9
3.1 The AllianceFramework (CRL Core).	9
3.2 Session Mechanism (Hurricane)	9
3.3 Creating a new Cell (CRL Core)	9
3.4 The DbU Measurement Unit	10
3.5 Setting up the Abutment Box	10
3.6 Adding Nets and Components	10
3.6.1 Getting a Layer	11
3.6.2 Creating a Net.	11
3.6.3 Creating a Component.	11
3.7 Saving to Disk (CRL Core)	12
3.8 The Complete Example File	12
4. Manipulating Cells, Nets and Components	14
4.1 Hurricane Collections.	14
4.1.1 Restrictions about using Collections	14
4.2 Loading a Cell with AllianceFramework	15
5. Make a script runnable through cgt.	15
5.1 Using Breakpoints	16
6. Making a hierarchical Cell -- Netlist	16
6.1 Creating an Instance	16
6.2 Creating Nets and connecting to Instances	17
6.3 Power supplies special case	17
6.4 Creating the physical view of a Cell netlist.	17
6.4.1 Transformation	18
6.4.2 Placing an Instance	18
6.4.3 Nets -- From Plugs to RoutingPads.	18
6.4.4 Nets -- Regular wiring	19
6.5 The Complete Example File	19
7. Working in real mode	22
7.1 Loading a LEF file	22
7.2 Loading a <code>blif</code> file -- Yosys	23
8. Tool Engines (CRL Core).	23
8.1 Placer -- Etesian	23
8.1 Router -- Katana	24
8.2 A Complete Example	24

9. Advanced Topics	26
9.1 Occurrence	26
9.2 RoutingPads	26
9.3 HyperNets	26
9.4 Miscellaeous trans-hierarchical functions	26

1. Introduction

This tutorial is aimed at two goals :

- Presenting how to use Python scripts to control Coriolis.
- Make a basic introduction about the Hurricane database and its concepts.

While this tutorial is aimed at presenting the Hurricane database, do not feel limited by it. You can use Hurricane objects as attributes of Python objects or use Python containers to store them. The only limitation is that you may not use Hurricane classes as base classes in Python.

All the example scripts given in this tutorial can be found under:

```
<CORIOLIS_INSTALL>/share/doc/coriolis2/examples/scripts/
```

Provided scripts:

Script	Feature
<code>coriolisLogo.py</code>	Draw a layout of the Coriolis logo
<code>diagonals.py</code>	Test the <code>Hurricane::Diagonal</code> class
<code>polygons.py</code>	Test the <code>Hurricane::Polygon</code> class
<code>rectilinear.py</code>	Test the <code>Hurricane::rectilinear</code> class
<code>invertor.py</code>	Procedural build of the layout of an invertor standard cell
<code>fulladder.py</code>	Procedural build of a small netlist along with it's manual placement and the routing of one net ("a")
<code>toolengines.py</code>	Build the netlist (only) of the full adder then call the place and route engines

1.1 Terminology

In the Hurricane database, the *logical* (netlist) and *physical* (layout) views are fused. As the main goal of the database is to support place & route tools, we usually starts with a *pure* netlist which is progressively enriched to become a layout. Cell, in particular, is able to be in any intermediate state. Many of our objects have self-explanatory names, but some don't. Thus we summarize below the more important ones:

Class	Meaning
Cell	The model. A Cell does not have terminals, only nets flagged as <i>external</i>
Instance	An instance of a model
Net	A grouping of electrically connected components
Plug	A terminal of an instance
RoutingPad	A physical connexion (<i>pin</i>) to an instance

1.2 Generalities

The C++ API has been exported in Python as closely as possible. Meaning that, save for a slight change in syntax, any code written in Python could be easily transformed into C++ code. There is no specific documentation written for the Python interface, you may directly use the C++ one.

Mostly:

- C++ namespaces are exported as Python modules.
- The *scope resolution operator* `::` converts into `.`.

- C++ blocks (between braces `{ }`) are replaced by indentations.
- In C++, names are managed through a dedicated `Name` class. It has not been exported to the Python interface, you only have to use `string`.
- Coordinates are expressed in `DbU` which are `long` with a special semantic (see ??).
- All Hurricane objects implements the Python `__str__()` function, they print the result of the C++ method `::getString()`.

In `hurricane/Net.h` header we have:

```
namespace Hurricane {

    class Net : public Entity {
    public:
        class Direction {
        public: enum Code { DirIn          = 0x0001
                          , DirOut        = 0x0002
                          , DirUndefined  = 0x0000
                          , ConnTristate  = 0x0100
                          , ConnWiredOr   = 0x0200
                          , UNDEFINED    = DirUndefined
                          , IN            = DirIn
                          , OUT           = DirOut
                          , INOUT         = DirIn | DirOut
                          , TRISTATE      = DirOut | ConnTristate
                          , TRANSCV      = DirIn | DirOut | ConnTristate
                          , WOR_OUT      = DirOut | ConnWiredOr
                          , WOR_INOUT    = DirIn | DirOut | ConnWiredOr
                          , DirMask      = DirIn | DirOut | DirUndefined
        };

            // [The rest of Class Direction]
        };

    public:
        static Net* create ( Cell* , const Name& );
        bool isGlobal ();
        bool isExternal ();
        const Direction& getDirection ();
        void setName ( Name );
        void setGlobal ( bool );
        void setExternal ( bool );
        void setDirection ( const Direction& );

            // [The rest of Class Net]
        };

    }
}
```

So we can use it the following way in C++:

```
#include "hurricane/Net.h"

using namespace Hurricane;

void addNetToCell ( Cell* cell )
{
    Net* net = Net::create( cell, "new_net" );
}
```

```

    net->setGlobal ( false );
    net->setExternal ( true );
    net->setDirection( Net.Direction.IN );
    cout << "Created " << net << endl;
    return net;
}

```

The equivalent Python code will be:

```

from Hurricane import Net

def addNetToCell ( cell ):
    net = Net.create( cell, "new_net" )
    net.setGlobal ( False )
    net.setExternal( True )
    net.setDirection( Net.Direction.IN )
    print( "Created", net )
    return net

```

1.3 Various Kinds of Constructors

Regarding the memory allocation, the Hurricane database contains two kind of objects.

1. Objects that are linked to others in the database and whose creation or deletion implies coherency operations. This is the case for **Net** or **Horizontal**. They must be created using the static **create()** method of their class and destroyed with their **destroy()** method.

And, of course, they cannot be copied (the copy constructor has been disabled).

```

net = Net.create( cell, 'tmp' ) # Call the static Net.create() function.
                                # Work with this net.
                                # ...
net.destroy()                  # Call the dynamic destroy() method.

```

2. Objects that are *standalone*, like **Point** or **Box**, uses the usual construction methods. They also use the Python garbage collector mechanism and do not need to be explicitly deleted.

```

from Hurricane import DbU, Box

def myfunc():
    bb = Box( DbU.fromLambda( 0.0 )
             , DbU.fromLambda( 0.0 )
             , DbU.fromLambda(15.0 )
             , DbU.fromLambda(50.0) )
    return # bb will be freed at that point.

```

1.4 Collections and Iterators

Hurricane **Collection** behave like containers under Python and provide support for the **iterator** protocol.

```

from Hurricane import Net, Horizontal

def delAllHorizontals ( net ):
    horizontals = []
    for component in net.getComponents():
        if isinstance(component, Horizontal):

```

```

        horizontal.append( component )
    # Now we can remove the Horizontals.
    for horizontal in horizontal:
        horizontal.destroy()

```

**Note**

Never remove an element from a Collection_ while iterating over it. You must save the to be removed elements in an auxiliary container then remove them, like shown in the example above

1.5 Dynamically decorating data-base objects

When writing algorithms directly in Python, it may come in handy to be able to add attributes over the Hurricane data-base objects. As C++ objects exposed to the Python realm cannot natively do so (it would mean to be able to modify a C++ object attributes *at runtime*), we add a special Property tasked with handling the extra Python attributes. The syntax has been made as simple as possible.

```

from Hurricane import PythonAttributes

class MyAttribute ( object ):
    count = 0

    def __init__ ( self ):
        self.value = MyAttribute.count
        print( '{} has been created'.format(self) )
        MyAttribute.count += 1

    def __del__ ( self ):
        print( '{} has been deleted'.format(self) )

    def __str__ ( self ):
        return '<MyAttribute {}>'.format(self.value)

def demoAttributes ( cell ):
    PythonAttributes.enable( cell )
    cell.myAttribute0 = MyAttribute()
    cell.myAttribute1 = MyAttribute()
    print( 'cell.myAttribute0 =', cell.myAttribute0 )
    del cell.myAttribute0
    PythonAttributes.disable( cell )

```

Detailing the life cycle of Python attributes on a **DBo**:

1. Enabling the addition of Python attribute on a **DBo**:

```
PythonAttributes.enable( cell )
```

2. Adding/removing properties on the **DBo**:

```

cell.myAttribute0 = MyAttribute()
cell.myAttribute1 = MyAttribute()
print( 'cell.myAttribute0 =', cell.myAttribute0 )
del cell.myAttribute0

```

3. And finally disabling the use of Python attributes on the **DBo**. Any still attached Python attributes will be released.

`PythonAttributes.disable(cell)`



Note

When the attributes of a **DBo** are released it does not automatically imply that they are removed. Their reference count is decreased, and if they are only referenced here, they will be deleted. But if other variables still holds reference onto them, they will stay allocated.

- There is no need to keep track of all the **DBo** that have Python attributes to disable them. One can directly call:

`PythonAttributes.disableAll()`

1.6 Adapting C++ : Overlay

Sometimes, the use of a wrapped C++ feature would be counter intuitive regarding the Python feature. For those cases the **overlay** module provide an adaptation of the C++ API for a more *Python-like* code. A typical example is with the **UpdateSession** mechanism.

Using directly the C++ wrapper, we would write a code like this:

```
from Hurricane import UpdateSession, Net, Vertical
from helpers import l

def editCell ( cell ):
    UpdateSession.open()
    net = Net.create( cell, "nwell" )
    Vertical.create( net, nwell, l(7.5), l(15.0), l(27.0), l(51.0) )
    # Continued cell's layout building.
    # ...
    UpdateSession.close()
```

But, using the **overlay** we got the more *pythonic* code:

```
from Hurricane import Net, Vertical
from helpers import l
from helpers.overlay import UpdateSession

def editCell ( cell ):
    with UpdateSession():
        net = Net.create( cell, "nwell" )
        Vertical.create( net, nwell, l(7.5), l(15.0), l(27.0), l(51.0) )
        # Continued cell's layout building.
        # ...
```

2. Setting up the Environment

2.1 Setting up the Paths

To simplify the tedious task of configuring your environment, a helper is provided. It will setup or modify the **PATH**, **LD_LIBRARY_PATH** (or **DYLD_LIBRARY_PATH** under Darwin), **PYTHONPATH** and **CORIOLIS_TOP** variables. It should automatically adapt to your kind of shell (Bourne like or C-Shell like).

```
<CORIOLIS_INSTALL>/etc/coriolis2/coriolisEnv.py
```

Use it like this (don't forget the `eval` **and** the backquotes):


```
dummy@lepka:~> eval `<CORIOLIS_INSTALL>/etc/coriolis2/coriolisEnv.py`
```



Note

Do not call that script in your environment initialisation. When used under RHEL6 or clones, it needs to be run in the `devtoolset` environment. The script then launches a new shell, which may cause an infinite loop if it's called again in, say `~/ .bashrc`. Instead you may want to create an alias:

```
alias c2r='eval "`<CORIOLIS_INSTALL>/etc/coriolis2/coriolisEnv.py`'
```

2.2 User's Configurations File

You may create, in the directory you are launching Coriolis tools, a special sub-directory `coriolis2/` that can contain the configuration files:

- `__init__.py` to tell Python this directory is a module.
- `settings.py` can override almost any default configuration setting.



Note

Those two files will be processed by the PYTHON interpreter, so they can contain any code in addition to the mandatory variables.

2.3 The `settings.py` File

The attributes name and definitions of `cfg` are detailed in [CGT - The Graphical Interface](#).

Selecting the Technology

The important line here is:

```
import symbolic.cmos
```

This import loads and setup the technology used throughout this run of Coriolis. One and only one technology can be loaded in a Coriolis run.

Example of file:

```
# -*- Mode:Python -*-

import os
import Cfg
import Viewer
import CRL
import symbolic.cmos
from helpers import overlay

if 'CELLS_TOP' in os.environ:
    cellsTop = os.environ['CELLS_TOP']
else:
    cellsTop = '../.../cells'

with overlay.CfgCache(priority=Cfg.Parameter.Priority.UserFile) as cfg:
    cfg.misc.catchCore = False
    cfg.misc.info = False
    cfg.misc.paranoid = False
    cfg.misc.bug = False
    cfg.misc.logMode = True
```

```

cfg.misc.verboseLevel1      = True
cfg.misc.verboseLevel2      = True
cfg.misc.minTraceLevel      = 1900
cfg.misc.maxTraceLevel      = 3000
cfg.katana.eventsLimit      = 1000000
cfg.katana.termSatReservedLocal = 6
cfg.katana.termSatThreshold = 9
Viewer.Graphics.setStyle( 'Alliance.Classic [black]' )
af = CRL.AllianceFramework.get()
env = af.getEnvironment()
env.setCLOCK( '^ck$|m_clock|^clk$' )
env.addSYSTEM_LIBRARY( library=cellsTop+'nsxlib', mode=CRL.Environment.Prepare )
env.addSYSTEM_LIBRARY( library=cellsTop+'niolib', mode=CRL.Environment.Prepare )

```

3. Making a Standard Cell -- Layout

In this part, we will show how to create and save a terminal **Cell**, that is, a cell without instances (the end point of a hierarchical design). To illustrate the case we will draw the layout of a standard cell.

We will introduce the following classes : **Cell**, **Net**, **Component** and its derived classes.

3.1 The AllianceFramework (CRL Core)

The Hurricane database only manages objects in memory. To load or save something from the outside, we need to use a *framework*. As of today, only one is available : the Alliance framework. It allows Coriolis to handle Alliance libraries and cells in the exact same way.



Note

To see how the **AllianceFramework** is configured for your installation, please have a look to `alliance.conf` in the `etc/coriolis2` directory. It must contains the same settings as the various `MBK_` variables used for ALLIANCE.

3.2 Session Mechanism (Hurricane)

In the Hurricane database, all modifications must take place inside an **UpdateSession**. At the closing of a session, created or modified objects are fully inserted in the database. This is especially true for the visualisation, a created component will be visible *only* only after the session close.



Note

See `QuadTree` and `Query`.

3.3 Creating a new Cell (CRL Core)

The creation of a new **Cell** occurs through the **AllianceFramework**, and, as stated above, inside a **UpdateSession**. The **AllianceFramework** environment is provided by the `crl` module.

```

from Hurricane import *
from CRL          import *
from helpers.overlay import UpdateSession

af = AllianceFramework.get()
with UpdateSession():
    cell = af.createCell( 'my_inv' )
    # Build then save the Cell.

```

This is the simplest call to `createCell()`, and in that case, the newly created `Cell` will be saved in the *working library* (usually, the current directory). You may supply a second argument telling into which library you want the `Cell` to be created.

In the Hurricane `Cell` object, there is no concept of *view*, it contains completely fused logical (netlist) and physical (layout) views.

3.4 The DbU Measurement Unit

All coordinates in the Hurricane database are expressed in `DbU` (for *Database Unit*) which are integer numbers of foundry grid. To be more precise, they are fixed points numbers expressed in hundredth of foundry grid (to allow transient non-integer computation).

To work with symbolic layout, that is, using lambda based lengths, two conversion functions are provided:

- `unit = DbU.fromLambda(lbd)` convert a lambda `lbd` into a `DbU`.
- `lbd = DbU.toLambda(unit)` convert a `DbU` into a lambda `lbd`.

In the weakly typed Python world, `lbd` is *float* while `unit` is *integer*.

In order to reduce the number of characters one has to code, the `helpers` module provides three very short function to perform conversion *towards DbU* :

```
def l ( value ):
    """Convert a lambda into a DbU."""
    return DbU.fromLambda( value )

def u ( value ):
    """Convert a length in micrometer into a DbU."""
    return DbU.fromPhysical( value, Hurricane.DbU.UnitPowerMicro )

def n ( value ):
    """Convert a length in nanometer into a DbU."""
    return DbU.fromPhysical( value, Hurricane.DbU.UnitPowerNano )
```

3.5 Setting up the Abutment Box

To setup the abutment box, we use a `Box` which defines a box from the coordinates of the lower left corner (`x1, y1`) and upper left corner (`x2, y2`).

```
b = Box( l( 0.0)      # x1
        , l( 0.0)      # y1
        , l(15.0)     # x2
        , l(50.0) )   # y2
cell.setAbutmentBox( b )
```

Or more simply:

```
cell.setAbutmentBox( Box( l( 0.0), l( 0.0), l(15.0), l(50.0) ) )
```

3.6 Adding Nets and Components

In the Hurricane terminology, a **component** is any kind of physical object among:

- `Contact`
- `Pad`

- [RoutingPad](#)
- [Horizontal](#)
- [Vertical](#)
- [Plug](#) is the only exception and will be detailed later (see ??).

Components cannot be created *alone*. They must be part of a **Net**.

3.6.1 Getting a Layer

As physical elements, **Components** are created using a **Layer**. So prior to their creation, we must get one from the database. **Layers** are stored in the **Technology**, which in turn, is stored in the **DataBase**. So, to get a **Layer**:

```
layer = DataBase.getDB().getTechnology().getLayer( 'METAL1' )
```



Note

Convention for layer names. As the database can manage both real layers and symbolic ones we adopt the following convention:

- **Real layers** are named in lowercase (`metal1, nwell`).
- **Symbolic layers** are named in uppercase (`METAL1, NWEELL`).

3.6.2 Creating a Net

As said above, prior to creating any **Component**, we must create the **Net** it will belong to. In that example we also make it an *external* net, that is, a part of the interface. Do not mistake the name of the net given as a string argument '`i`' and the name of the *variable* `i` holding the **Net** object. For the sake of clarity we try to give the variable a close name, but this is not mandatory.

```
i = Net.create( cell, 'i' )
i.setExternal( True )
```



Note

Unlike some other database models, in HURRICANE, **there is no explicit terminal object**, you only need to make the net external. For more information about how to connect to an external net, see [6.2 Creating Nets and connecting to Instances](#).

3.6.3 Creating a Component

Finally, we get ready to create a **Component**, we will make a **Vertical** segment of METAL1.

```
segment = Vertical.create( i           # The owner Net.
                          , layer     # The layer.
                          , l( 5.0 )  # The X coordinate.
                          , l( 2.0 )  # The width.
                          , l( 10.0 ) # The Y source coordinate.
                          , l( 40.0 ) # The Y target coordinate.
```

With this overload of the `Vertical.create()` function the segment is created at an absolute position. There is a second overload for creating a relatively placed segment, see *articulated layout*.

If the net is external, that is, part of the interface of the cell, you may have to declare some of its components as physical connectors usable by the router. This is done by calling the **NetExternalComponents** class:

```
NetExternalComponents.setExternal( segment )
```

3.7 Saving to Disk (CRL Core)

Once you have finished to build your cell, you have to save it on disk. Using the [AllianceFramework](#) you can save it as a pair of file:

View	Flag	File extension
Logical / Netlist	Catalog.State.Logical	.vst
Physical / Layout	Catalog.State.Physical	.ap

To save both views, use the `Catalog.State.Views` flag. The files will be written in the Alliance `WORK_DIR`.

```
af.saveCell( cell, Catalog.State.Views )
```

3.8 The Complete Example File

The example files can be found in the `share/doc/coriolis2/examples/scripts/` directory (under the the root of the Coriolis installation).

The code needed to run it through the `cgf` viewer has been added. For the explanation of that part of the code, refer to [5. Make a script runnable through cgf](#).

```
#!/usr/bin/python

import sys
from Hurricane import DataBase, NetExternalComponents, Net, \
                    DbU, Point, Box, Horizontal, Vertical, Contact, RoutingP
                    Breakpoint
from CRL import AllianceFramework, Catalog
from helpers import l
from helpers.overlay import UpdateSession

def doBreak ( level, message ):
    """Put a breakpoint into the script."""
    Breakpoint.stop( level, message )

def buildInvertor ( editor ):
    """Build step by step an invertor standard cell."""
    with UpdateSession():
        cell = AllianceFramework.get().createCell( 'invertor' )
        cell.setTerminalNetlist( True )
        cell.setAbutmentBox( Box( l(0.0), l(0.0), l(15.0), l(50.0) ) )

    if editor:
        editor.setCell( cell )
        editor.fit()

    with UpdateSession():
        technology = DataBase.getDB().getTechnology()
        metall = technology.getLayer( "METAL1" )
        poly = technology.getLayer( "POLY" )
        ptrans = technology.getLayer( "PTRANS" )
        ntrans = technology.getLayer( "NTRANS" )
        pdif = technology.getLayer( "PDIF" )
```

```

    ndif      = technology.getLayer( "NDIF"      )
    contdifn  = technology.getLayer( "CONT_DIF_N" )
    contdifp  = technology.getLayer( "CONT_DIF_P" )
    nwell     = technology.getLayer( "NWELL"     )
    contpoly  = technology.getLayer( "CONT_POLY" )
    ntie      = technology.getLayer( "NTIE"      )

    net = Net.create( cell, "nwell" )
    Vertical.create( net, nwell, 1(7.5), 1(15.0), 1(27.0), 1(51.0) )

    vdd = Net.create( cell, "vdd" )
    vdd.setExternal( True )
    vdd.setGlobal ( True )
    h = Horizontal.create( vdd, metall, 1(47.0), 1(6.0), 1(0.0), 1(15.0) )
    NetExternalComponents.setExternal( h )
    Contact.create ( vdd, contdifn, 1(10.0), 1(47.0), 1( 1.0), 1( 1.0) )
    Contact.create ( vdd, contdifp, 1( 4.0), 1(45.0), 1( 1.0), 1( 1.0) )
    Vertical.create( vdd, pdif    , 1( 3.5), 1( 4.0), 1(28.0), 1(46.0) )
    Vertical.create( vdd, ntie    , 1(10.0), 1( 3.0), 1(43.0), 1(48.0) )
doBreak( 1, 'Done building vdd.' )

with UpdateSession():
    vss = Net.create( cell, "vss" )
    vss.setExternal( True )
    vss.setGlobal ( True )
    h = Horizontal.create( vss, metall, 1(3.0), 1(6.0), 1(0.0), 1(15.0) )
    NetExternalComponents.setExternal( h )
    Vertical.create( vss, ndif    , 1(3.5), 1(4.0), 1(4.0), 1(12.0) )
    Contact.create ( vss, contdifn, 1(4.0), 1(5.0), 1(1.0), 1( 1.0) )
doBreak( 1, 'Done building vss.' )

with UpdateSession():
    i = Net.create( cell, "i" )
    i.setExternal( True )
    v = Vertical.create ( i, metall, 1(5.0), 1(2.0), 1(10.0), 1(40.0) )
    NetExternalComponents.setExternal( v )
    Vertical.create ( i, ptrans , 1( 7.0), 1( 1.0), 1(26.0), 1(39.0) )
    Vertical.create ( i, ntrans , 1( 7.0), 1( 1.0), 1( 6.0), 1(14.0) )
    Vertical.create ( i, poly   , 1( 7.0), 1( 1.0), 1(14.0), 1(26.0) )
    Horizontal.create( i, poly   , 1(20.0), 1( 3.0), 1( 4.0), 1( 7.0) )
    Contact.create ( i, contpoly, 1( 5.0), 1(20.0), 1( 1.0), 1( 1.0) )
doBreak( 1, 'Done building i.' )

with UpdateSession():
    nq = Net.create ( cell, "nq" )
    nq.setExternal( True )
    v = Vertical.create( nq, metall, 1(10.0), 1(2.0), 1(10.0), 1(40.0) )
    NetExternalComponents.setExternal( v )
    Vertical.create( nq, pdif    , 1(10.0), 1( 3.0), 1(28.0), 1(37.0) )
    Vertical.create( nq, ndif    , 1(10.0), 1( 3.0), 1( 8.0), 1(12.0) )
    Contact.create ( nq, contdifp, 1(10.0), 1(35.0), 1( 1.0), 1( 1.0) )
    Contact.create ( nq, contdifp, 1(10.0), 1(30.5), 1( 1.0), 1( 1.0) )
    Contact.create ( nq, contdifn, 1(10.0), 1(10.0), 1( 1.0), 1( 1.0) )
doBreak( 1, 'Done building q.' )

```

```
AllianceFramework.get().saveCell( cell, Catalog.State.Views )
```

```
def scriptMain ( **kw ):
    """The Mandatory function to be run by Coriolis interactively."""
    editor = None
    if 'editor' in kw and kw['editor']:
        editor = kw['editor']
    buildInvertor( editor )
    return True
```

4. Manipulating Cells, Nets and Components

In this part, we will show how to navigate through the **Nets** and **Components** of a **Cell**.

4.1 Hurricane Collections

In Hurricane all kind of set of objects, whether organized in a real container like a `map<>` (dictionary / dict) or a `vector<>` (table / list) or an algorithmic walkthrough of the database can be accessed through a **Collection**.

C++ Collections objects are exposed in Python through the *iterable* protocol, allowing to simply write:

```
for net in cell.getNets():
    print( 'Components of', net )
    for component in net.getComponent():
        print( '|', component )
```

In C++ we would have been written:

```
for ( Net* net : cell->getNets() ) {
    cout << "Components of " << net << endl;
    for ( Component* component : net->getComponent() ) {
        cout << "| " << component << endl,
    }
}
```

4.1.1 Restrictions about using Collections

Never delete or create an element while you are iterating over a Collection.

Results can be unpredictable, you may just end up with a core dump, but more subtly, some element of the **Collection** may be skipped or processed twice. If you want to create or delete an element, do it outside the collection loop. For example:

```
cellNets = []
for net in cell.getNets():
    cellNets.append( net )

# Remove all the anonymous nets.
for net in cellNets:
    if net.getName().endswith('anonymous_'):
        print( 'Destroy', net )
        net.destroy()
```

4.2 Loading a Cell with AllianceFramework

As presented in [2.1 The Alliance Framework](#), the **Cell** that will be returned by the `getCell()` call will be:

1. If a **Cell** of that name is already loaded into memory, it will be returned.



Note

It means that it shadows any modifications that could have been on disk since it was first loaded. Conversely, if the **Cell** has been modified in memory, you will get those modifications.

2. Search, in the ordered list of libraries, the first **Cell** that matches the requested name.



Note

It means that if cells with the same name exist in different libraries, only the one in the first library will be ever used. Be also aware that cell files that may remain in the `WORK_LIB`, may unexpectedly shadow cells from the libraries.

```
cell = af.getCell( 'inv_x1', Catalog.State.Views )
```

5. Make a script runnable through cgt

To use your script you may run it directly like any other Python script. But, for debugging purpose it may be helpful to run it through the interactive layout viewer **cgt**.

For **cgt** to be able to run your script, you must add to your script file a function named **scriptMain()**, which takes a dictionary as sole argument (****kw**). The **kw** dictionary contains, in particular, the **CellViewer** object we are running under with the keyword `editor`. You can then load your cell into the viewer using the menu:

- `Tools` → `Python Script`. The script file name must be given without the `.py` extension.



Note

If you use breakpoints and want to see the progress of your script in the viewer, do not use the `--script` option of **cgt**.

```
ego@home:~> cgt -V --script=invertor
```

Because the script is run **before** the viewer is launched, you will only see the end result of your script.

```
def buildInvertor ( editor ):
    """Build step by step an invertor standard cell."""
    with UpdateSession():
        cell = AllianceFramework.get().createCell( 'invertor' )
        cell.setTerminalNetlist( True )

        cell.setAbutmentBox( Box( 1(0.0), 1(0.0), 1(15.0), 1(50.0) ) )
    if editor:
        editor.setCell( cell )
        editor.fit()

    # The rest of the script...
    return
```



```
def scriptMain ( **kw ):
    """The Mandatory function to be run by Coriolis interactively."""
    editor = None
    if 'editor' in kw and kw['editor']:
        editor = kw['editor']
    buildInvertor( editor )
    return True
```

5.1 Using Breakpoints

It is possible to add breakpoints inside a script by calling the `Breakpoint.stop()` function. To be able to see exactly what has just been modified, be sure to have closed any `UpdateSession` before calling breakpoints. The `Breakpoint.stop()` function takes two arguments:

1. The `level` above which it will be active.
2. An informative message about the purpose of the breakpoint.

We can create a little function to ease the work:

```
def doBreak ( level, message ):
    Breakpoint.stop( level, message )
```

6. Making a hierarchical Cell -- Netlist

To illustrate the topic, we will build the netlist of a fulladder from standard cell.

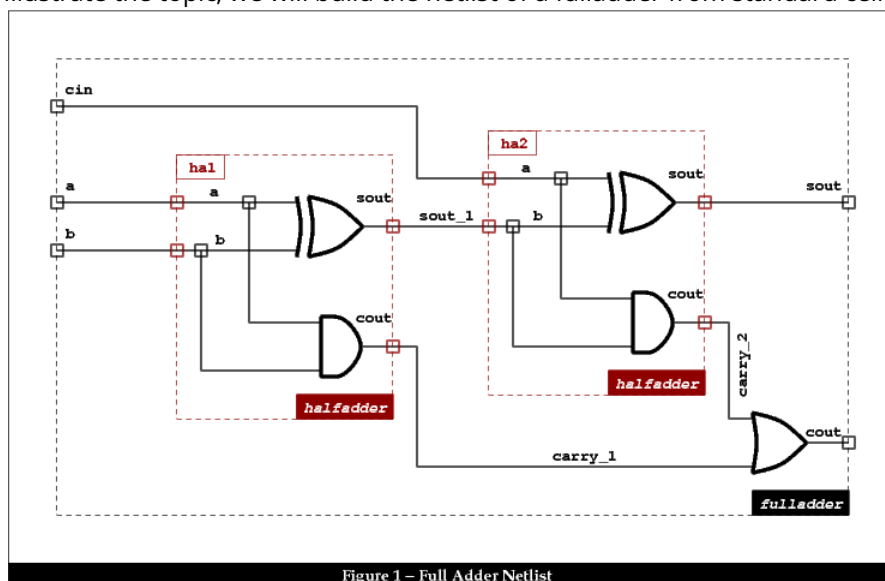


Figure 1 – Full Adder Netlist

6.1 Creating an Instance

Creating an `Instance` is straightforward, the constructor needs only three parameters:

1. The `Cell` into which the instance is to be created.
2. The name of the instance.
3. The `master cell`, the `Cell` model it refers to. The master cell will be part of the hierarchical level just below the `fulladder` cell.

**Note**

Do not confuse the cell the instance is create into (`fulladder`) and the cells it refers to (the *master cell* `xr2_x2`).

```
af      = AllianceFramework.get ( )
xr2_x2 = af.getCell( 'xr2_x1', Catalog.State.Views )

fulladder = af.createCell( 'fulladder' )
xr2_1     = Instance.create( fulladder, 'xr2_1', xr2_x2 )
```

6.2 Creating Nets and connecting to Instances

An **Instance** has one **Plug** for each external net of the *master cell*. The plug allows to create a **logical** connection bewteen a **Net** of `fulladder` and a net from an **Instance** *master cell*.

A plug is somewhat equivalent to an *instance terminal* in other well known databases. Therefore, a plug is related to two nets:

1. The net of the *master cell* it is linked to. Obviously that net cannot be changed. You can access the master net with the function `plug.getMasterNet()`.
2. The net of `fulladder` the plug is connected to. This can be set, it is how we build the netlist. To set the net, use the function `plug.setNet(net)`. If the argument is `None`, the plug is *disconnected*.

To find the plug of an instance associated to a given net in the *master cell*, use `instance.getPlug(masterNet)`. The `masterNet` argument being an object of class `net` (not its name).

Building the **a** net of `fulladder`:

```
a = Net.create( fulladder, "a" )
a.setExternal( True )
xr2_1.getPlug( xr2_x2.getNet( "i0" ) ).setNet( a )
a2_1.getPlug( a2_x2.getNet( "i0" ) ).setNet( a )
```

**Note**

Limitation of Hurricane Netlists. There is no explicit terminal object in the HURRICANE database. Plugs are generated *on the fly* for each *external net* of the instance. One important consequence is that a *net* cannot appear on the interface as two differently named terminals (sometimes referred as *weekly connected* terminals). There is a strict bijection between external nets and plugs. While it may be restrictive, it enforces cleaner designs and make it possible for the **HyperNet** concept/class.

6.3 Power supplies special case

For supplies, it may be tedious to connect the **Plugs** of each cell one by one (and create a lot of unneeded objects). To avoid that, we may use **Named connections**. If a signal in `fulladder` is set to *global*, then it will be considered as connected to any signal with the *same name* and *global* in the master cell of the instances.

```
vdd = Net.create( fulladder, "vdd" )
vdd.setExternal( True )
vdd.setGlobal ( True ) # Will be connected to all the instances.
```

6.4 Creating the physical view of a Cell netlist

Even if loaded in the viewer, an Instance will not be displayed until it is placed.

6.4.1 Transformation

To place an Instance, we apply a **Transformation** to the coordinate system of the *master cell*. A transformation is composed of two operations:

1. An **Orientation**, which can be a symmetry or a rotation (or a combination of those two). The Orientation **is applied first** to the coordinate system of the *master cell*. The complete list of Orientation and their codes are given on the Orientation documentation page.
2. A **Translation**, applied in second. Translation are represented by **Points**.

The transformation is a change of coordinate system, be aware that if the abutment box lower left corner of the *master cell* is **not** at (0,0) the result of the Transformation may not be what you expect. To simplify the computation of the transformation of an instance, always place the lower left corner of the abutment box at (0,0)

6.4.2 Placing an Instance

Assuming that we want to place the cells of the `fulladder` into two rows, that the abutment box lower left corner is at (0,0) (same for the `xr2_x2` *master cell* layout). Here is the code to place the `xr2_1` instance to left of the second row.

Setting the translation on an **Instance** is not enough to make it be displayed, we also must set its *placement status* to `Instance.PlacementStatus.PLACED`.

```
xr2_1.setTransformation( Transformation( 1(0.0), 1(100.0), Transformation.Orientation.  
xr2_1.setPlacementStatus( Instance.PlacementStatus.PLACED )
```

6.4.3 Nets -- From Plugs to RoutingPads

As was stated before, **Plugs** represent a logical connection between two levels of hierarchy. To make the physical connection to the *master net* in the instance, we now must create, in the `fulladder`, a special component which is a kind of *reference* to a component of the *master net* (in the master cell).

The so called *special component* is a **RoutingPad**.

The `RoutingPad` can be considered as an equivalent to `pin` in other well known databases.

```
rp = RoutingPad.create( a  
                        , Occurrence( xr2_1.getPlug( xr2_x2.getNet("i0")) )  
                        , RoutingPad.BiggestArea )
```

For the second parameter, we must pass an **Occurrence**. Occurrence objects will be explained in detail later, for now, let say that we must construct the Occurrence object with one parameter: the **Plug** for which we want to create a physical connection.

The **RoutingPad** `rp` will be a component of the `a` net.

The third argument ask the constructor of the **RoutingPad** to select in the master net, the component which has the biggest area.



Note

Component selection. Not all the components of a net can be selected for connection through a **RoutingPad**. The candidates must have been flagged with the `NetExternalComponents` class. See [3.6.3 Creating a Component](#).

6.4.4 Nets -- Regular wiring

After the creation of the **RoutingPads**, the wiring is to be created with ordinary layout components (**Horizontal**, **Vertical** and **Contact** possibly articulated). Here is the complete code for net a. We made an articulated layout where contacts are created over **RoutingPads** then segments over contacts.

```
# Build wiring for a.
# Create RoutingPads first.
rp1 = RoutingPad.create( a
                        , Occurrence( xr2_1.getPlug( xr2_x2.getNet("i0")) )
                        , RoutingPad.BiggestArea )
rp2 = RoutingPad.create( a
                        , Occurrence( a2_1.getPlug( a2_x2.getNet("i0")) )
                        , RoutingPad.BiggestArea )

# Then regular wiring.
contact1 = Contact.create( rp1, via12, l( 0.0), l(-15.0) )
contact2 = Contact.create( rp2, via12, l( 0.0), l( 10.0) )
turn      = Contact.create( a , via23, l(10.0), l( 35.0) )
Horizontal.create( contact2, turn      , metal2, l(35.0), l(2.0) )
Vertical   .create( turn      , contact1 , metal3, l(10.0), l(2.0) )
```



Note

In order to better see the layout of the wiring only, open the Controller and in the tab, uncheck .

6.5 The Complete Example File

The example file `fulladder.py` can be found in the `share/doc/coriolis2/examples/scripts/` directory (under the the root of the Coriolis installation).

```
#!/usr/bin/python

import sys
from Hurricane import DataBase, Instance, Box, Net, Horizontal, Vertical, Contact, \
    RoutingPad, Transformation, Occurrence, \
    Breakpoint
from CRL          import AllianceFramework, Catalog, Gds
from helpers     import l
from helpers.overlay import UpdateSession

def doBreak ( level, message ):
    """Put a breakpoint into the script."""
    Breakpoint.stop( level, message )

def buildFulladder ( editor ):
    """Build step by step full adder (netlist & placement)."""
    # Get the Framework and all the master cells.
    af      = AllianceFramework.get()
    xr2_x2 = af.getCell( 'xr2_x1', Catalog.State.Views )
    a2_x2  = af.getCell( 'a2_x2' , Catalog.State.Views )
    o2_x2  = af.getCell( 'o2_x2' , Catalog.State.Views )
```

```
with UpdateSession():
    fulladder = af.createCell( 'fulladder' )
    fulladder.setAbutmentBox( Box( 1(0.0), 1(0.0), 1(90.0), 1(100.0) ) )

if editor:
    editor.setCell( fulladder )
    editor.fit()

with UpdateSession():
    # Create Instances.
    a2_1 = Instance.create( fulladder, 'a2_1', a2_x2 )
    a2_2 = Instance.create( fulladder, 'a2_2', a2_x2 )
    xr2_1 = Instance.create( fulladder, 'xr2_1', xr2_x2 )
    xr2_2 = Instance.create( fulladder, 'xr2_2', xr2_x2 )
    o2_1 = Instance.create( fulladder, 'o2_1', o2_x2 )

    # Create Nets.
    vss = Net.create( fulladder, "vss" )
    vss.setExternal( True )
    vss.setGlobal ( True )

    vdd = Net.create( fulladder, "vdd" )
    vdd.setExternal( True )
    vdd.setGlobal ( True )

    cin = Net.create( fulladder, "cin" )
    cin.setExternal( True )
    xr2_2.getPlug( xr2_x2.getNet('i0') ).setNet( cin )
    a2_2.getPlug( a2_x2.getNet('i0') ).setNet( cin )

    a = Net.create( fulladder, 'a' )
    a.setExternal( True )
    xr2_1.getPlug( xr2_x2.getNet('i0') ).setNet( a )
    a2_1.getPlug( a2_x2.getNet('i0') ).setNet( a )

    b = Net.create( fulladder, 'b' )
    b.setExternal( True )
    xr2_1.getPlug( xr2_x2.getNet('i1') ).setNet( b )
    a2_1.getPlug( a2_x2.getNet('i1') ).setNet( b )

    sout_1 = Net.create( fulladder, 'sout_1' )
    xr2_1.getPlug( xr2_x2.getNet('q' ) ).setNet( sout_1 )
    xr2_2.getPlug( xr2_x2.getNet('i1') ).setNet( sout_1 )
    a2_2.getPlug( a2_x2.getNet('i1') ).setNet( sout_1 )

    carry_1 = Net.create( fulladder, 'carry_1' )
    a2_1.getPlug( a2_x2.getNet('q' ) ).setNet( carry_1 )
    o2_1.getPlug( o2_x2.getNet('i1') ).setNet( carry_1 )

    carry_2 = Net.create( fulladder, 'carry_2' )
    a2_2.getPlug( a2_x2.getNet('q' ) ).setNet( carry_2 )
    o2_1.getPlug( o2_x2.getNet('i0') ).setNet( carry_2 )

    sout = Net.create( fulladder, 'sout' )
```

```

sout.setExternal( True )
xr2_2.getPlug( xr2_x2.getNet( 'q' ) ).setNet( sout )

cout = Net.create( fulladder, 'cout' )
cout.setExternal( True )
o2_1.getPlug( o2_x2.getNet( 'q' ) ).setNet( cout )

# Instances placement.
with UpdateSession():
    a2_1.setTransformation( Transformation( 1(0.0)
                                           , 1(0.0)
                                           , Transformation.Orientation.ID ) )
    a2_1.setPlacementStatus( Instance.PlacementStatus.PLACED )
doBreak( 1, 'Placed a2_1' )

with UpdateSession():
    xr2_1.setTransformation( Transformation( 1( 0.0)
                                           , 1(100.0)
                                           , Transformation.Orientation.MY ) )
    xr2_1.setPlacementStatus( Instance.PlacementStatus.PLACED )
doBreak( 1, 'Placed xr2_1' )

with UpdateSession():
    a2_2.setTransformation( Transformation( 1(25.0)
                                           , 1( 0.0)
                                           , Transformation.Orientation.ID ) )
    a2_2.setPlacementStatus( Instance.PlacementStatus.PLACED )
doBreak( 1, 'Placed a2_2' )

with UpdateSession():
    xr2_2.setTransformation( Transformation( 1( 45.0)
                                           , 1(100.0)
                                           , Transformation.Orientation.MY ) )
    xr2_2.setPlacementStatus( Instance.PlacementStatus.PLACED )
doBreak( 1, 'Placed xr2_2' )

with UpdateSession():
    o2_1.setTransformation( Transformation( 1(65.0)
                                           , 1( 0.0)
                                           , Transformation.Orientation.ID ) )
    o2_1.setPlacementStatus( Instance.PlacementStatus.PLACED )
doBreak( 1, 'Placed o2_1' )

# Add filler cells.
with UpdateSession():
    tie_x0 = af.getCell( 'tie_x0', Catalog.State.Views )
    rowend_x0 = af.getCell( 'rowend_x0', Catalog.State.Views )
    filler_1 = Instance.create( fulladder, 'filler_1', tie_x0 )
    filler_2 = Instance.create( fulladder, 'filler_2', rowend_x0 )

    filler_1.setTransformation( Transformation( 1(50.0)
                                               , 1( 0.0)
                                               , Transformation.Orientation.II ) )
    filler_1.setPlacementStatus( Instance.PlacementStatus.PLACED )

```

```

        filler_2.setTransformation( Transformation( l(60.0)
                                                , l( 0.0)
                                                , Transformation.Orientation.II
        filler_2.setPlacementStatus( Instance.PlacementStatus.PLACED )
doBreak( 1, 'Filler cell placeds' )

# Getting the layers.
technology = DataBase.getDB().getTechnology()
metal2     = technology.getLayer( "METAL2" )
metal3     = technology.getLayer( "METAL3" )
via12      = technology.getLayer( "VIA12" )
via23      = technology.getLayer( "VIA23" )

with UpdateSession():
    # Build wiring for a.
    # Create RoutingPads first.
    rp1 = RoutingPad.create( a
                            , Occurrence( xr2_1.getPlug( xr2_x2.getNet("i0"))
                            , RoutingPad.BiggestArea )
    rp2 = RoutingPad.create( a
                            , Occurrence( a2_1.getPlug( a2_x2.getNet("i0"))
                            , RoutingPad.BiggestArea )

    # Then regular wiring.
    contact1 = Contact.create( rp1, via12, l( 0.0), l(-15.0) )
    contact2 = Contact.create( rp2, via12, l( 0.0), l( 10.0) )
    turn      = Contact.create( a , via23, l(10.0), l( 35.0) )
    Horizontal.create( contact2, turn , metal2, l(35.0), l(2.0) )
    Vertical .create( turn , contact1 , metal3, l(10.0), l(2.0) )

af.saveCell( fulladder, Catalog.State.Views )

def scriptMain ( **kw ):
    """The Mandatory function to be run by Coriolis interactively."""
    editor = None
    if 'editor' in kw and kw['editor']:
        editor = kw['editor']
    buildFulladder( editor )
    return True

```

7. Working in real mode

The [AllianceFramework](#) only manages *symbolic* layout as Alliance does. But Coriolis is also able to work directly in *real* mode, meaning that distances will be expressed in microns instead of lambdas.

The *real* mode will be illustrated by working with the [FreePDK45](#).

We will assume that the [FreePDK45](#) archives is installed under:

```
/home/dks/
```

7.1 Loading a LEF file

Importing a lef file is simple, you just call the static function `LefImport.load()`. Multiple lef file can be imported one after another.

```
# You must set "DKsdir" to where you did install the NCSU FreePDK 45nm DK.
DKsdir = '/home/dks'

library = LefImport.load( DKsdir + '/FreePDK45/osu_soc/lib/files/gscl45nm.lef' )
```



Note

Technology checking. The first imported LEF file must contain the technology. The technology described in the LEF file will be checked against the one configured in the running instance of CORIOLIS to look for any discrepancies.

7.2 Loading a blif file -- Yosys

The `blif` format is generated by the `Yosys` logic synthesizer. Here again, it is pretty straightforward: call the static function `Blif.load()`. If you made your synthesis on a cell library not managed by `AllianceFramework`, for example the one of the FreePDK45, you must load it prior to calling the `blif` loader.

```
cell = Blif.load( 'snx' ) # load "snx.blif" in the working directory.
```

8. Tool Engines (CRL Core)

The `ToolEngine` class is the base class for all tools developed in Coriolis. In the rest of the tutorial we will use the names `tool` or `engine` as synonyms.

8.1 Placer -- Etesian

To run the placer, create the Etesian engine, then call the `place()` function.

```
import Etesian

# [...]

etesian = Etesian.EtesianEngine.create(cell)
etesian.place()
```

You can configure the placer in two ways:

1. Prior to the creation of the engine, setup an abutment for the cell. The placer will fit the cells into that area. If the area is too small, it will issue an error.
2. Setup Etesian parameters through the `settings.py` configuration file. For example:

```
with overlay.CfgCache(priority=Cfg.Parameter.Priority.UserFile) as cfg:
    cfg.etesian.effort = 2
    cfg.etesian.uniformDensity = True
    cfg.etesian.spaceMargin = 0.8
    cfg.etesian.aspectRatio = 1.0
```

With this setup, the cells will be spread uniformly over the area (`etesian.uniformDensity`), with 80% of free space added and an aspect ratio of 100% (square shape).

8.1 Router -- Katana

Like for Etesian, you have to create the engine on the cell then call the sequence of functions detailed below.



Note

Kite vs. Katana. There are currently two routers in CORIOLIS, KITE is the old one and digital only. KATANA is a re-implementation with support for mixed routing (digital **and** analog). Until KATANA is fully implemented we keep both of them.

```
import Anabatic
import Katana

# [...]

katana = Katana.KatanaEngine.create(cell)
katana.digitalInit      ()
katana.runGlobalRouter  ()
katana.loadGlobalRouting( Anabatic.EngineLoadGrByNet )
katana.layerAssign      ( Anabatic.EngineNoNetLayerAssign )
katana.runNegociate     ( Katana.Flags.NoFlags )
```

8.2 A Complete Example

The example file `toolengines.py` can be found in the `share/doc/coriolis2/examples/scripts/` directory (under the the root of the Coriolis installation).

This script automatically places and routes the `fulladder` netlist as seen previously. The call to the `ToolEngines` is made inside the new function `placeAndRoute()`.



Note

As the `ToolEngine` take care of opening and closing `UpdateSession`, we do not need the wrapper function `doBreak()` around the breakpoints. We directly call `Breakpoint`.



Note

The space margin for this example is very high (80%), it's only because it's too small for the placer to run correctly. For normal case it is around 3%.

```
#!/usr/bin/python

import sys
from Hurricane import *
from CRL          import *
import Etesian
import Anabatic
import Katana

# Everybody needs it.
af = AllianceFramework.get()

def buildFulladder ( editor ):
    # Get the Framework and all the master cells.
    xr2_x2 = af.getCell( 'xr2_x1', Catalog.State.Views )
    a2_x2  = af.getCell( 'a2_x2' , Catalog.State.Views )
    o2_x2  = af.getCell( 'o2_x2' , Catalog.State.Views )
```

```
with UpdateSession():
    fulladder = af.createCell( 'fulladder' )

    # Create Instances.
    a2_1 = Instance.create( fulladder, 'a2_1', a2_x2 )
    a2_2 = Instance.create( fulladder, 'a2_2', a2_x2 )
    xr2_1 = Instance.create( fulladder, 'xr2_1', xr2_x2 )
    xr2_2 = Instance.create( fulladder, 'xr2_2', xr2_x2 )
    o2_1 = Instance.create( fulladder, 'o2_1', o2_x2 )

    # Create Nets.
    vss = Net.create( fulladder, "vss" )
    vss.setExternal( True )
    vss.setGlobal ( True )

    vdd = Net.create( fulladder, "vdd" )
    vdd.setExternal( True )
    vdd.setGlobal ( True )

    cin = Net.create( fulladder, "cin" )
    cin.setExternal( True )
    xr2_2.getPlug( xr2_x2.getNet('i0') ).setNet( cin )
    a2_2.getPlug( a2_x2.getNet('i0') ).setNet( cin )

    a = Net.create( fulladder, 'a' )
    a.setExternal( True )
    xr2_1.getPlug( xr2_x2.getNet('i0') ).setNet( a )
    a2_1.getPlug( a2_x2.getNet('i0') ).setNet( a )

    b = Net.create( fulladder, 'b' )
    b.setExternal( True )
    xr2_1.getPlug( xr2_x2.getNet('i1') ).setNet( b )
    a2_1.getPlug( a2_x2.getNet('i1') ).setNet( b )

    sout_1 = Net.create( fulladder, 'sout_1' )
    xr2_1.getPlug( xr2_x2.getNet('q' ) ).setNet( sout_1 )
    xr2_2.getPlug( xr2_x2.getNet('i1') ).setNet( sout_1 )
    a2_2.getPlug( a2_x2.getNet('i1') ).setNet( sout_1 )

    carry_1 = Net.create( fulladder, 'carry_1' )
    a2_1.getPlug( a2_x2.getNet('q' ) ).setNet( carry_1 )
    o2_1.getPlug( o2_x2.getNet('i1') ).setNet( carry_1 )

    carry_2 = Net.create( fulladder, 'carry_2' )
    a2_2.getPlug( a2_x2.getNet('q' ) ).setNet( carry_2 )
    o2_1.getPlug( o2_x2.getNet('i0') ).setNet( carry_2 )

    sout = Net.create( fulladder, 'sout' )
    sout.setExternal( True )
    xr2_2.getPlug( xr2_x2.getNet('q') ).setNet( sout )

    cout = Net.create( fulladder, 'cout' )
    cout.setExternal( True )
    o2_1.getPlug( o2_x2.getNet('q') ).setNet( cout )
```

```

    af.saveCell( fulladder, Catalog.State.Views )
    return fulladder

def placeAndRoute ( editor, cell ):
    # Run the placer.
    etesian = Etesian.EtesianEngine.create( cell )
    etesian.place()
    if editor:
        editor.setCell( cell )
        editor.fit()

    Breakpoint.stop( 1, 'After placement' )

    # Run the router.
    katana = Katana.KatanaEngine.create( cell )
    katana.digitalInit      ( )
    katana.runGlobalRouter ( )
    katana.loadGlobalRouting( Anabatic.EngineLoadGrByNet )
    katana.layerAssign      ( Anabatic.EngineNoNetLayerAssign )
    katana.runNegociate     ( Katana.Flags.NoFlags )

    af.saveCell( cell, Catalog.State.Views )

def scriptMain ( **kw ):
    editor = None
    if 'editor' in kw and kw['editor']:
        editor = kw['editor']
    fulladder = buildFulladder( editor )
    placeAndRoute( editor, fulladder )
    return True

```

9. Advanced Topics

This is a place holder as well as a reminder to myself to write this part of the documentation.

9.1 Occurrence

The trans-hierarchical workhorse.

9.2 RoutingPads

Unlike the **Plugs** that only make connections between two **adjacent** hierarchical levels, **Routing-Pads** can refer to a deeply buried terminal.

9.3 HyperNets

This class is part of the *virtual flattening* mechanism, it allows to go through all the components of a trans-hierarchical net.

9.4 Miscellaeous trans-hierarchical functions

For a starter, how to get all the leaf cells...