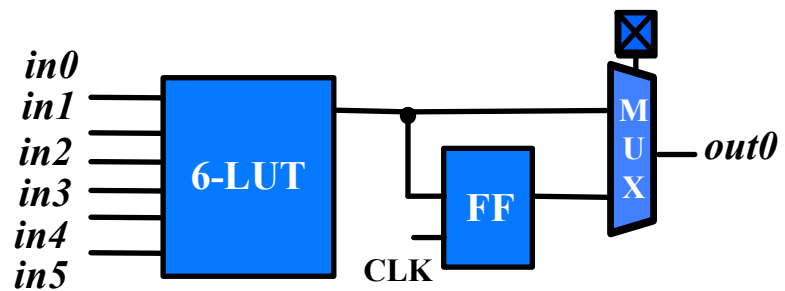
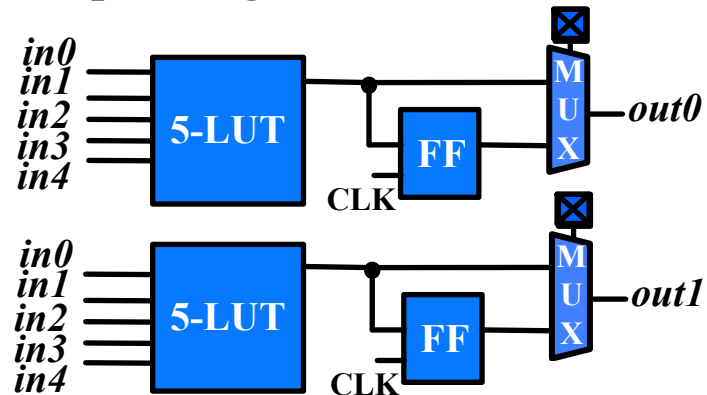


**Operating mode 1: 6-LUT**



**Operating mode 2: 5 & 5 LUT**



**Operating mode 4: Shift register**

