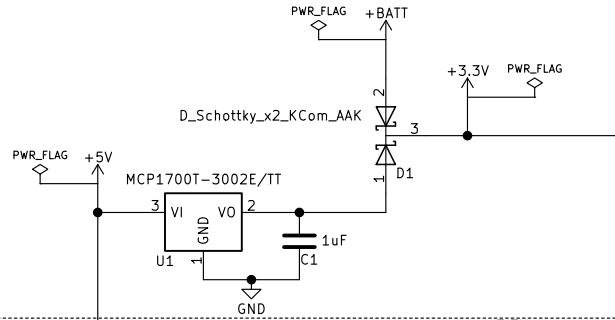


Voltage Regulation and Selection

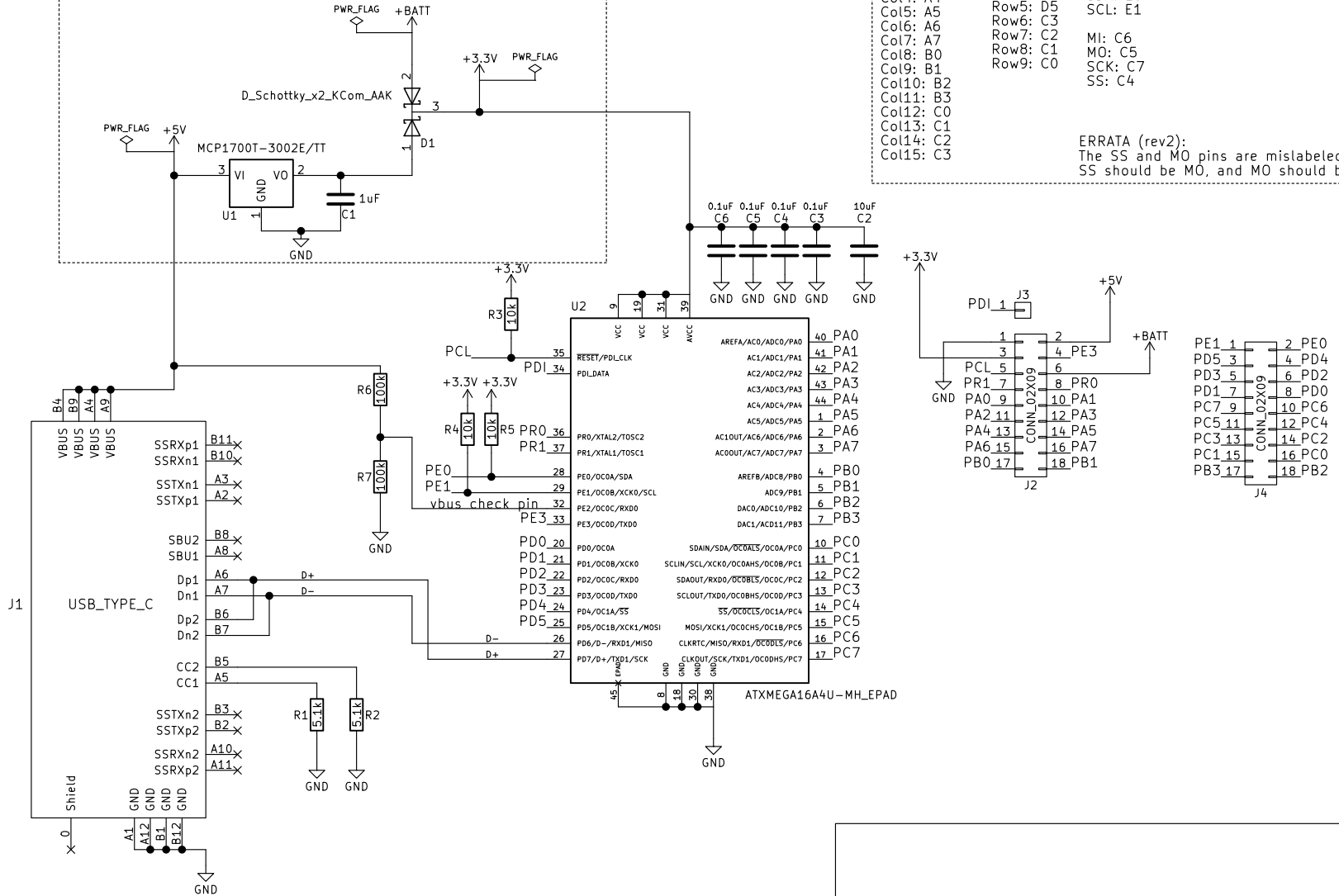
Note: The battery voltage should be less than the voltage output by the 3.3V regulator.



PIN MAPPING

Col0: A0	Row0: D0	E3: E3	RST: PCL
Col1: A1	Row1: D1	R0: R0	PDI: PDI
Col2: A2	Row2: D2	R1: R1	
Col3: A3	Row3: D3		
Col4: A4	Row4: D4	SDA: E0	
Col5: A5	Row5: D5	SCL: E1	
Col6: A6	Row6: C3		
Col7: A7	Row7: C2	MI: C6	
Col8: B0	Row8: C1	MO: C5	
Col9: B1	Row9: C0	SCK: C7	
Col10: B2		SS: C4	
Col11: B3			
Col12: C0			
Col13: C1			
Col14: C2			
Col15: C3			

ERRATA (rev2):
The SS and MO pins are mistabled on the silkscreen.
SS should be MO, and MO should be SS.



Sheet: /
File: keyplus_mini.sch

Title:

Size: A4
KiCad E.D.A. kicad 4.0.7

Date:

Rev:

Id: 1/1