

Coral Dev Board Micro: Wireless Add-on Cover Page

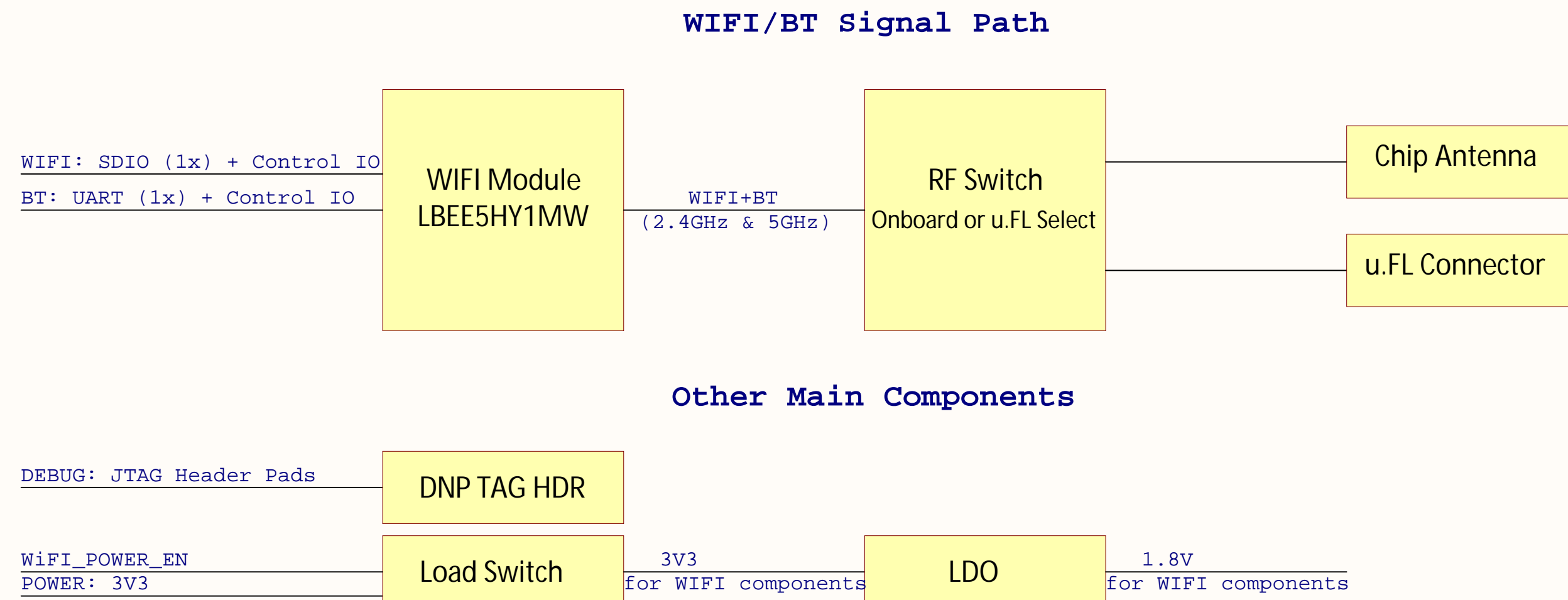
Table of Content

Page 1	COVER
Page 2	Antenna
Page 3	B2B

Revision History

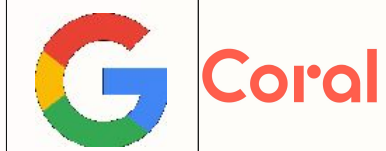
Rev. Code	Date	By	Description
1.0	2022-08-12	Stefan	Schematics prepared for release

Block Diagram



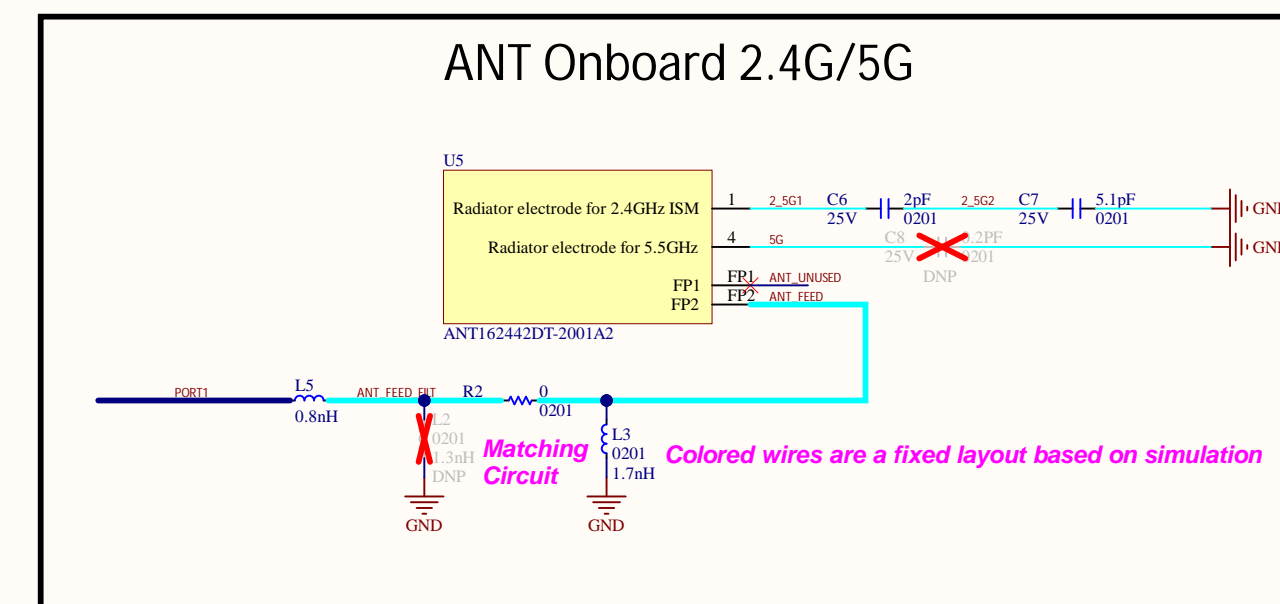
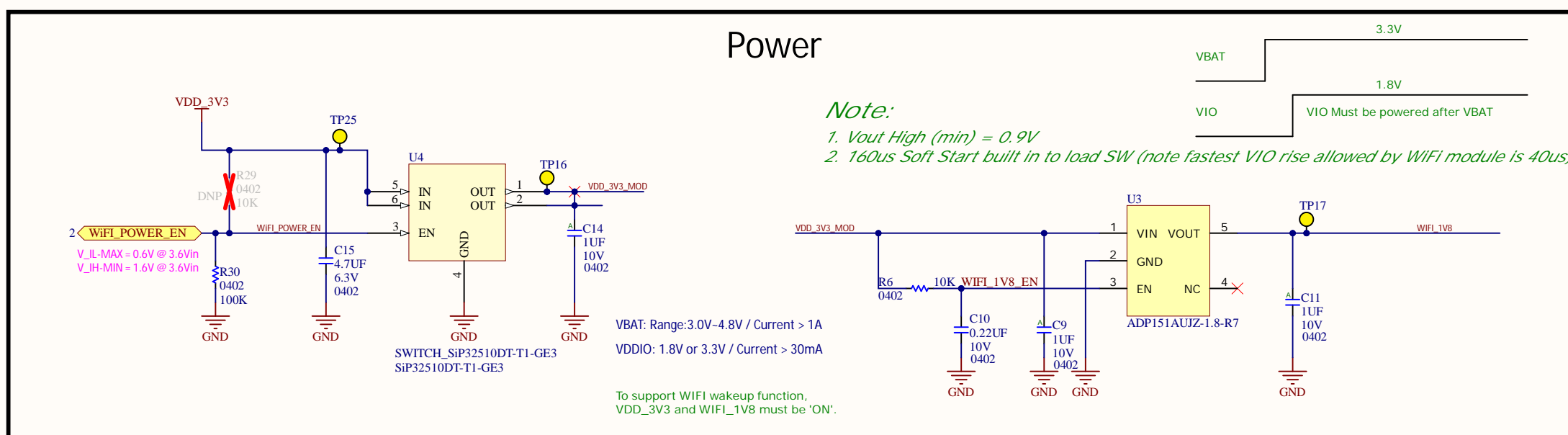
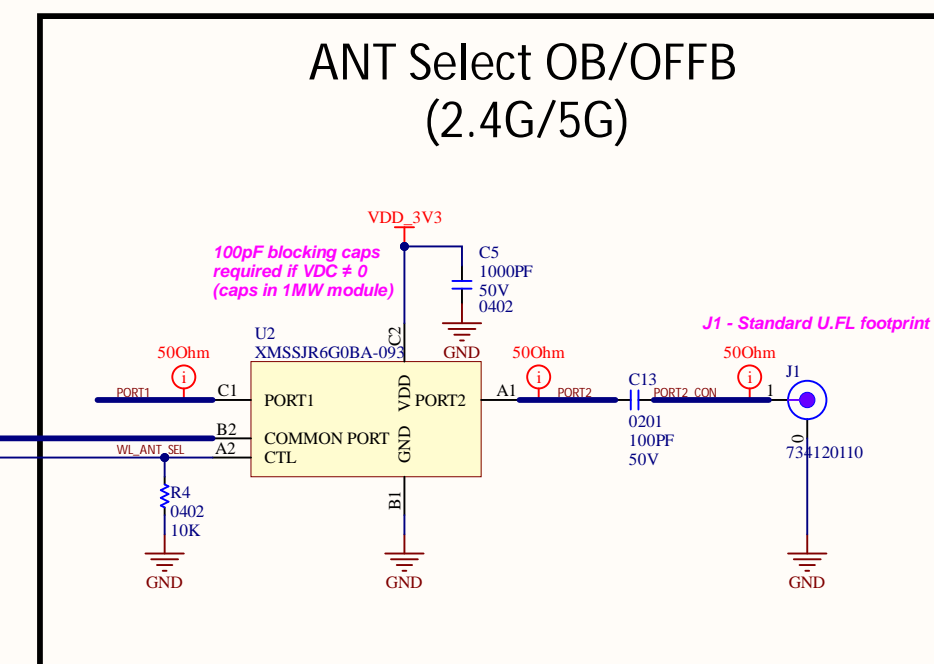
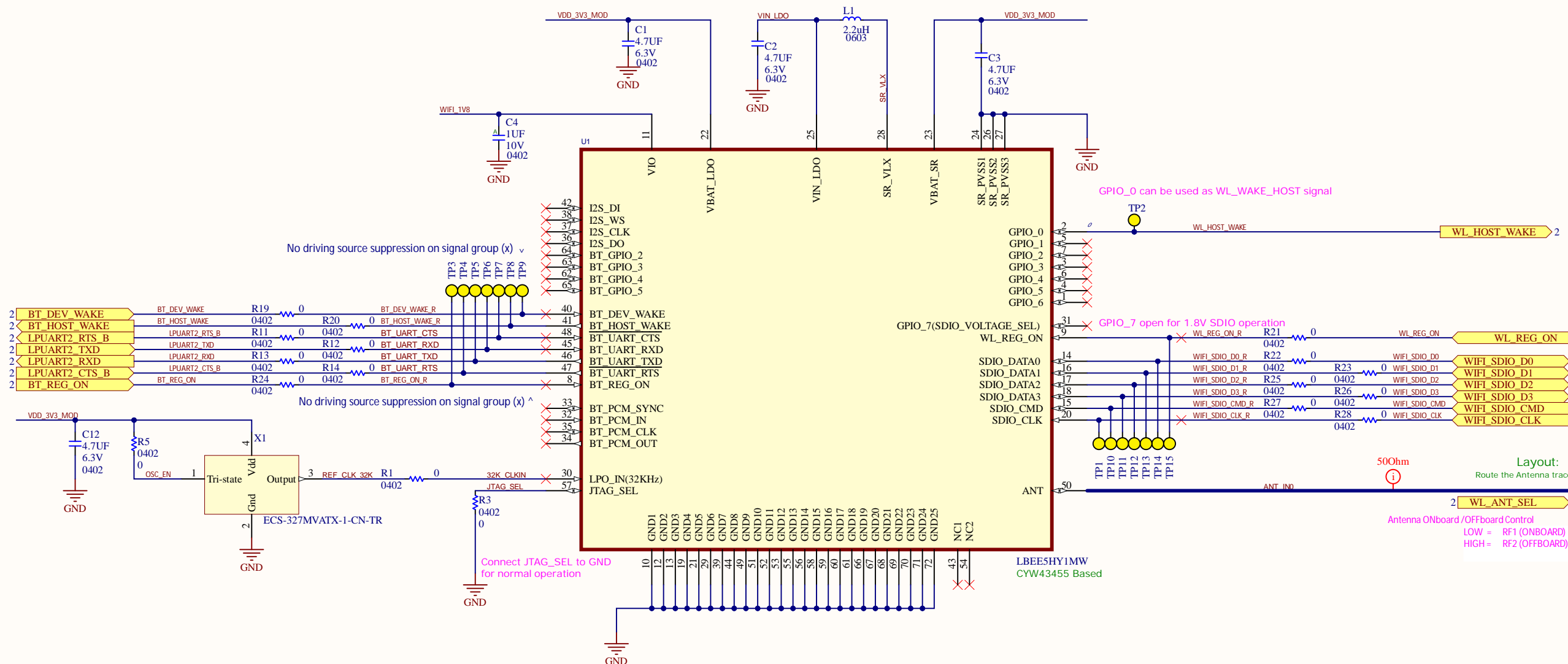
Project: Coral Dev Board Micro: Wireless Add-on	
Engineer: Stefan	Revision: PVT
Date: 8/12/2022	Sheet 1 of 3
File: 01_COVER.SchDoc	

Google LLC
1600 Amphitheatre Parkway
Mountain View, CA 94043



Coral Dev Board Micro: Wireless Add-on Antenna

2.4G/5G WIFI/BT Module



Coral Dev Board Micro: Wireless Add-on B2B

- MH1
- MH2
- MH3
- MH4

