

Coral Dev Board Micro: PoE Add-on Cover Page

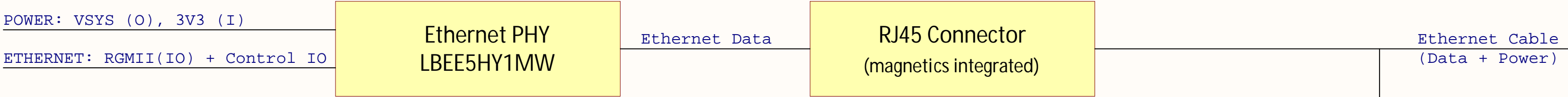
Table of Contents

Page 1	COVER
Page 2	RJ45 and PoE
Page 3	B2B and Ethernet PHY

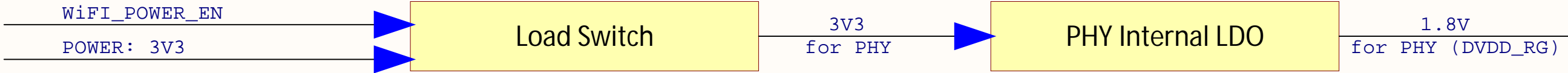
Revision History

Rev. Code	Date	By	Description
1.0	2022-08-12	Stefan	Schematics prepared for release

Ethernet Overview

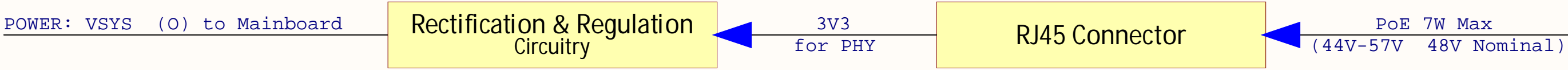


Low Voltage Power



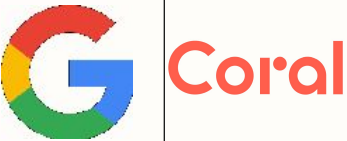
PoE

PoE Power



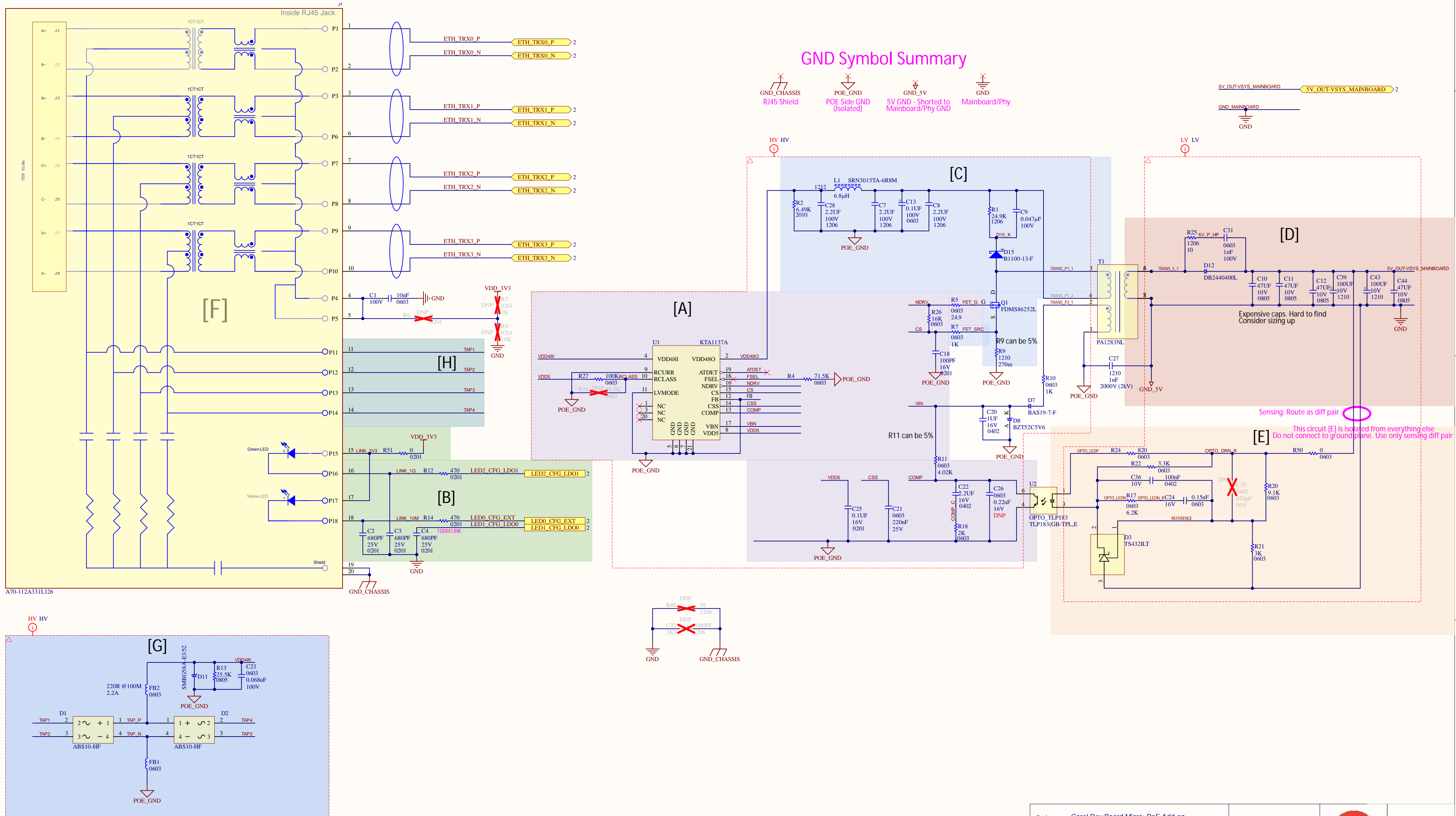
Project: Coral Dev Board Micro: PoE Add-on	
Engineer: Stefan	Revision: PVT
Date: 8/12/2022	Sheet 1 of 3
File: 01 COVER.SchDoc	

Google LLC
1600 Amphitheatre Parkway
Mountain View, CA 94043



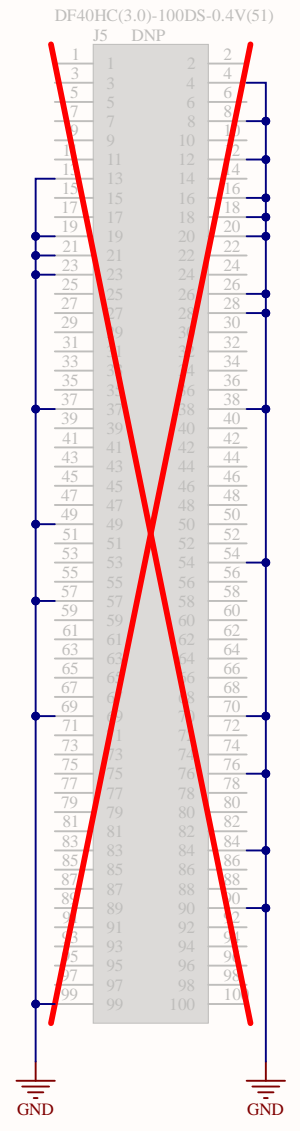
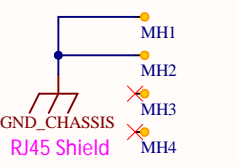
Coral Dev Board Micro: PoE Add-on RJ45 and PoE

Letters and colored background are placement and routing regions used during design process
 eg. [D] is output 5V region, while [C] is a high noise high voltage region with careful routing consideration required

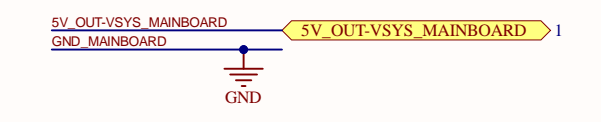
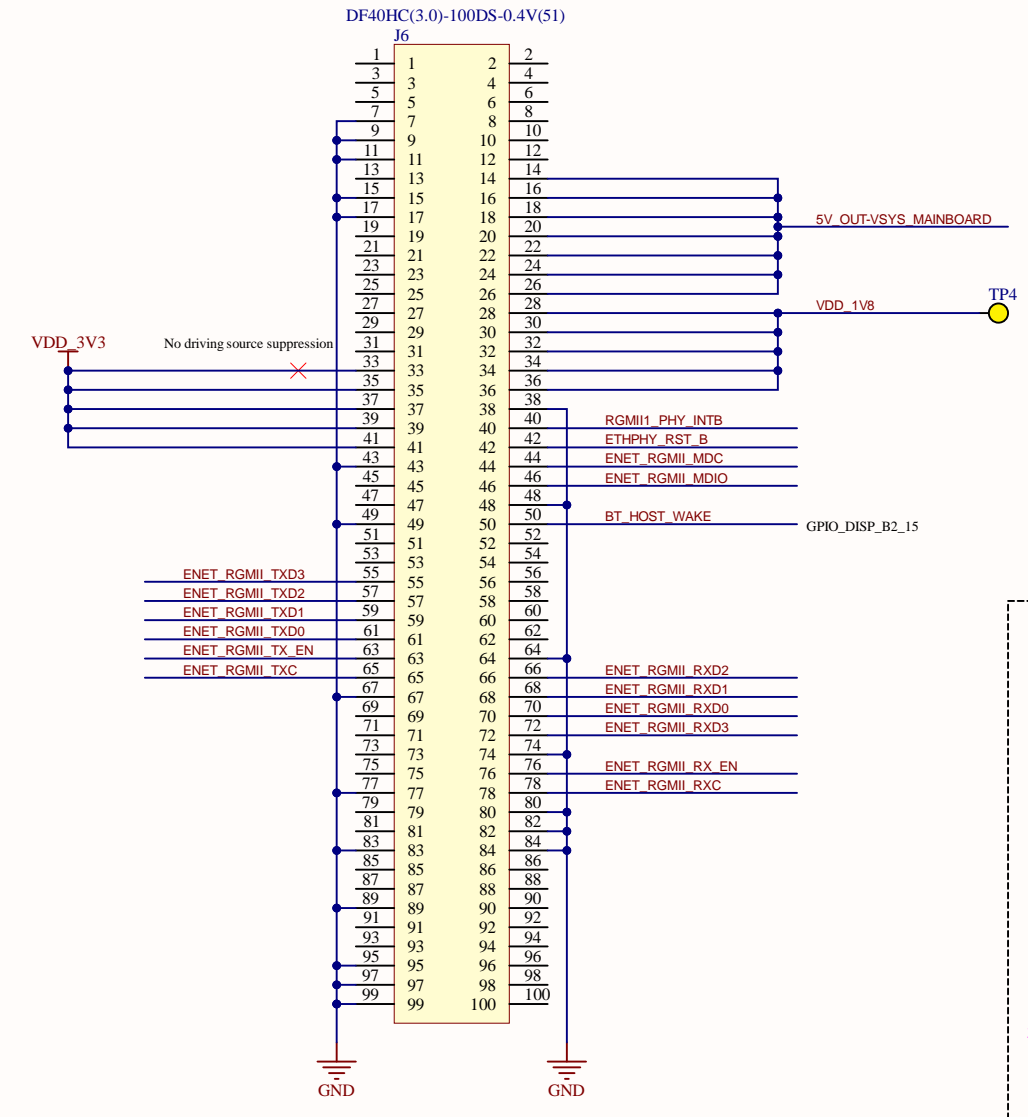


Coral Dev Board Micro: B2B and Ethernet PHY

NOTE:
2x MH near RJ45 are chassis GND
All other Valiant MH are floating

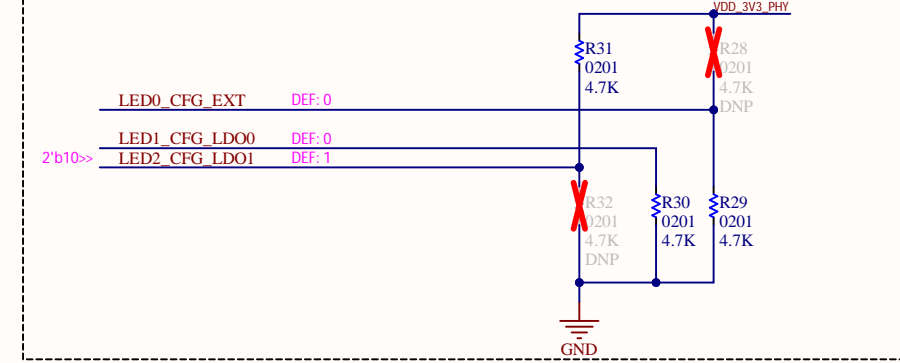


- GPIO_DISP_B1_04 ENET_RGMII_RXD2
- GPIO_DISP_B1_03 ENET_RGMII_RXD1
- GPIO_DISP_B1_02 ENET_RGMII_RXD0
- GPIO_DISP_B1_05 ENET_RGMII_RXD3
- GPIO_DISP_B1_00 ENET_RGMII_RX_EN
- GPIO_DISP_B1_01 ENET_RGMII_RXC
- ENET_RGMII_TXD3
- ENET_RGMII_TXD2
- ENET_RGMII_TXD1
- ENET_RGMII_TXD0
- ENET_RGMII_TX_EN
- ENET_RGMII_TXC
- GPIO_EMC_B2_02 RGMII1_PHY_INTB
- GPIO_EMC_B2_03 ETHPHY_RST_B
- GPIO_EMC_B2_19 ENET_RGMII_MDIO
- GPIO_EMC_B2_20 ENET_RGMII_MDC

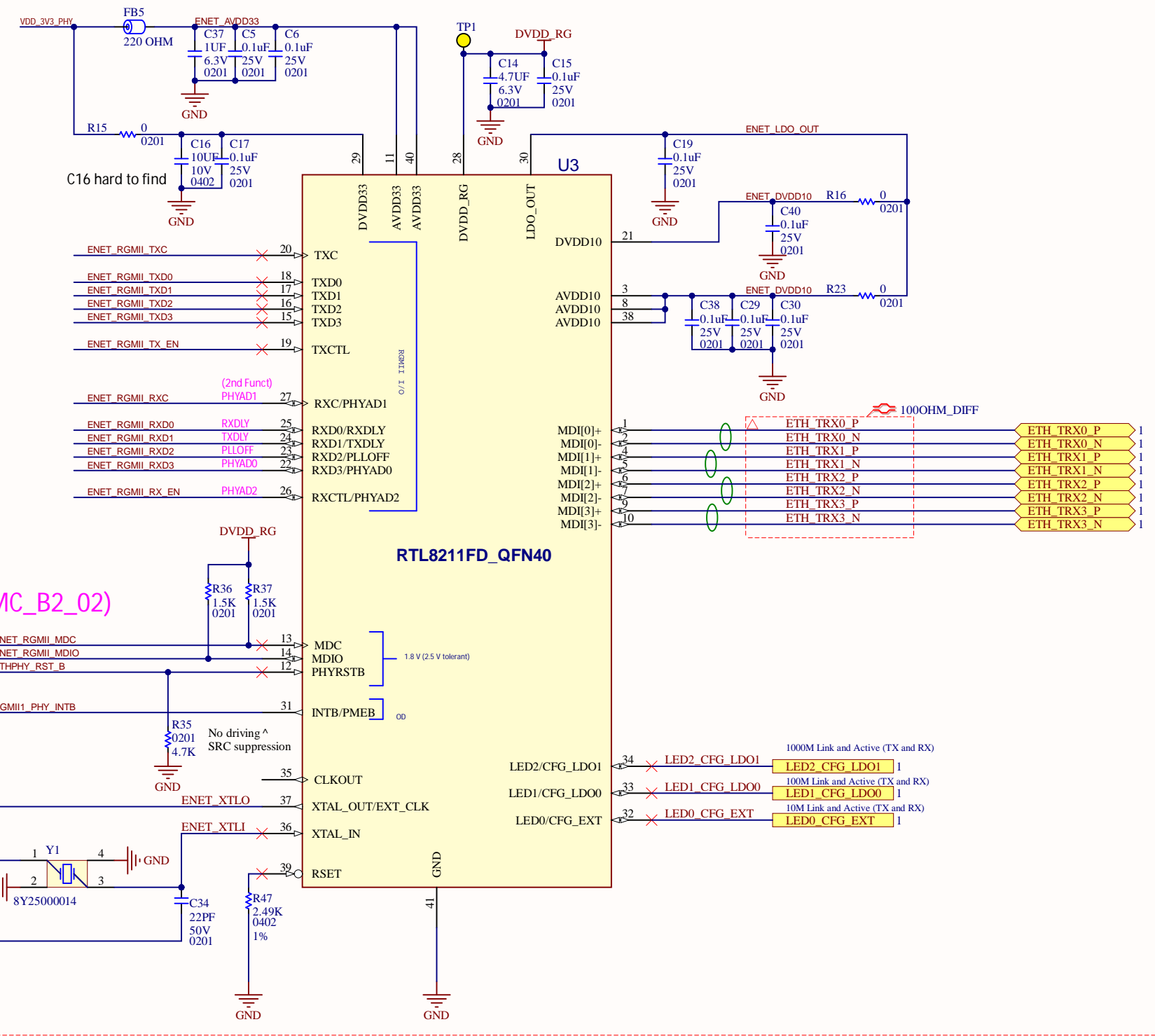
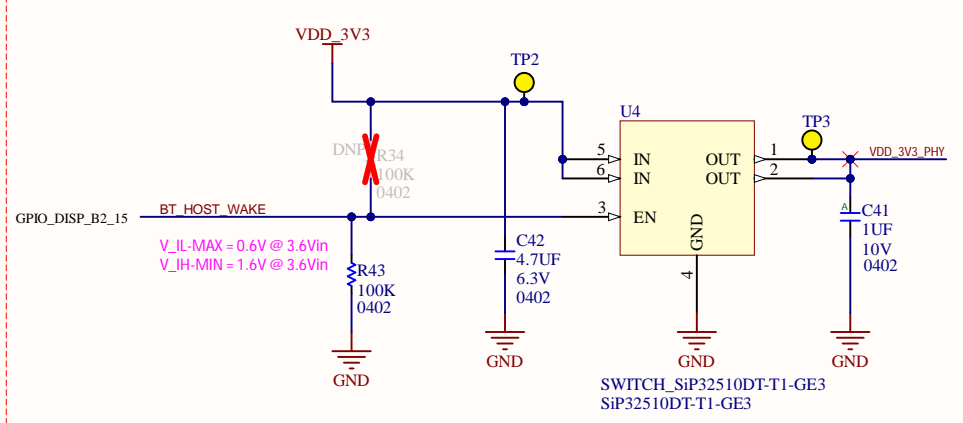
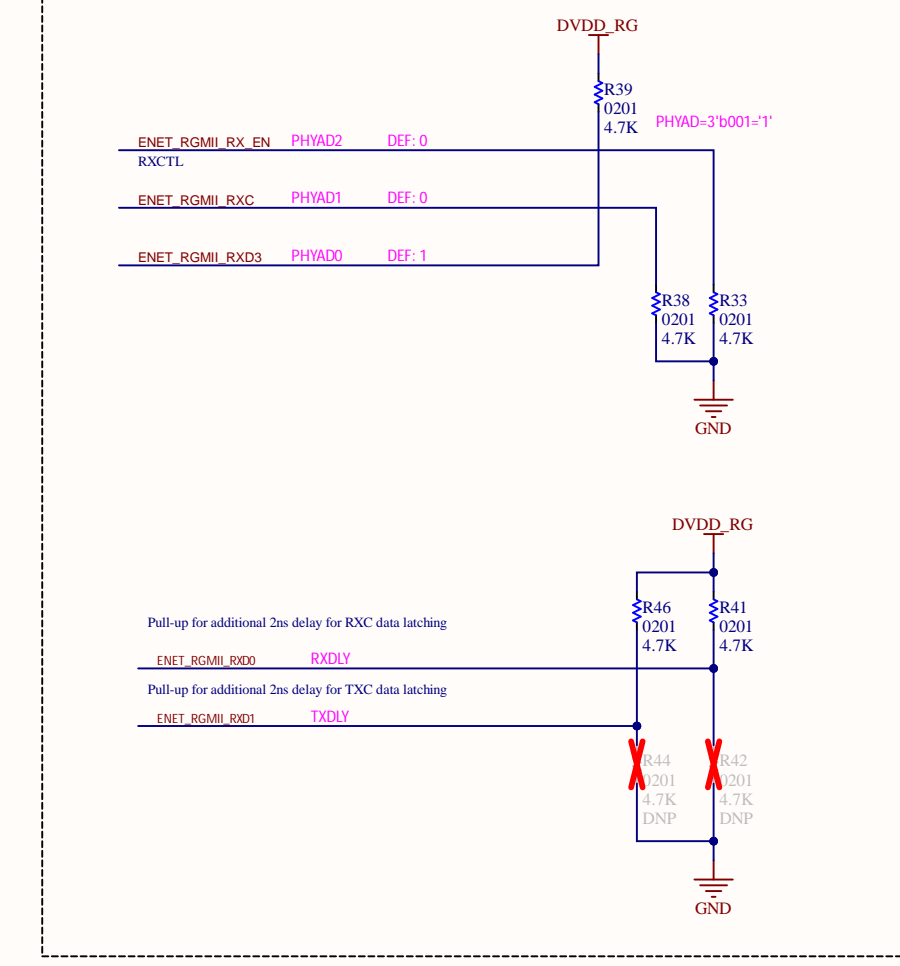


Power-on Strapping Pins

RGMII Power Source	CFG_EXT	CFG_LDO[1:0]
External 3.3V	1'B1	2'B00
External 1.8V	1'B1	2'B10
Internal 1.8V (Default)	1'B0	2'B10



PHY Address Config



Require MCU internal pullup on PHY_INTB (GPIO_EMC_B2_02)

Project:	Coral Dev Board Micro: PoE Add-on	
Engineer:	Stefan	Revision: PVT
Date:	8/12/2022	Sheet 3 of 3
File:	03 B2B and Ethernet PHY.SchDoc	

Google LLC
1600 Amphitheatre Parkway
Mountain View, CA 94043

